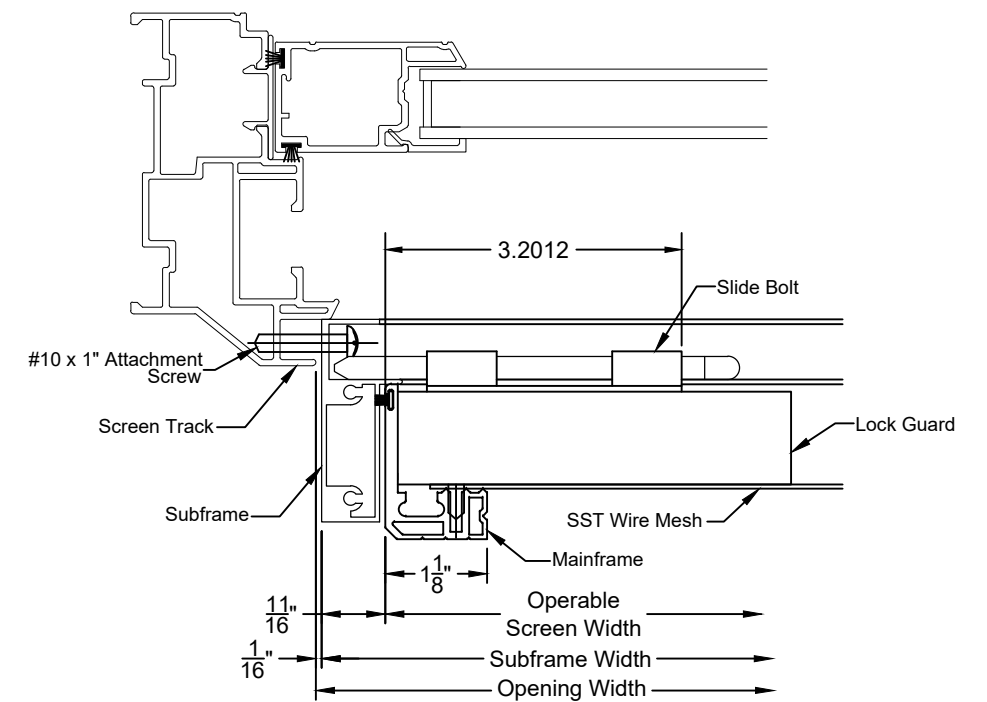
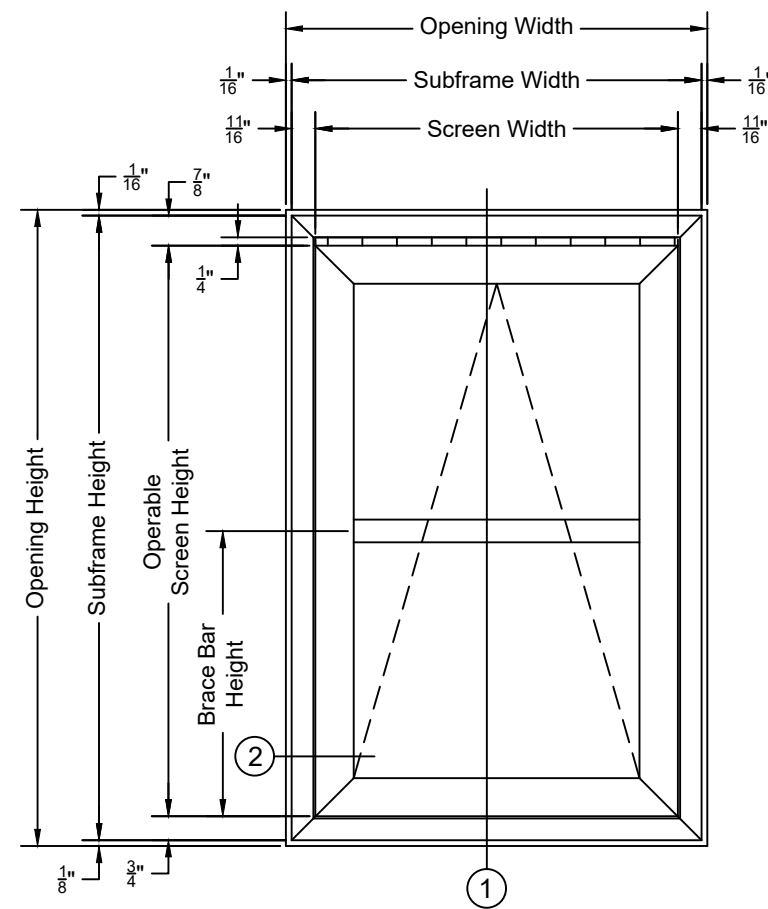


**1 Vertical Section
Top Hinge w/ Subframe**



2 Operable Jamb



PROPRIETARY AND CONFIDENTIAL
THE INFORMATION CONTAINED IN THIS
DRAWING IS THE SOLE PROPERTY OF
HARMONY PRODUCTS INC. ANY
REPRODUCTION IN PART OR AS A WHOLE
WITHOUT THE WRITTEN PERMISSION OF
<INSERT COMPANY NAME HERE> IS
PROHIBITED.

HARMONY
SECURITY PRODUCTS, INC.
Innovative Security Solutions
HARMONY PRODUCTS INC.
20 CHURCH RD. - EMIGSVILLE, PA 17318
717-767-2779 - FAX - 717-767-2918
website: www.window-shield.com

JOB NAME: XXXXXXXX
CLIENT: ABC COMPANY
PRODUCT: 500 Series Top Hinged w/ Subframe
DATE: 04/27/15 DWG. BY: SAB
SHEET NO.: 1 OF 1 JOB NO.: XXXXX